

4400Z



FORKCRANE



TRANSFORM A FORKLIFT
INTO A PRECISION CRANE

FORKCRANE

Converts an ordinary forked vehicle into a specialty remote-controlled crane that provides smooth, precise placement of heavy materials and components.

Features & Benefits

- Unparalleled portable precise placement
- Provides safe and controlled delivery
- A crane option for low ceiling facilities
- Extends the utility of an existing forklift
- Offers enhanced employee productivity
- Complete customization available

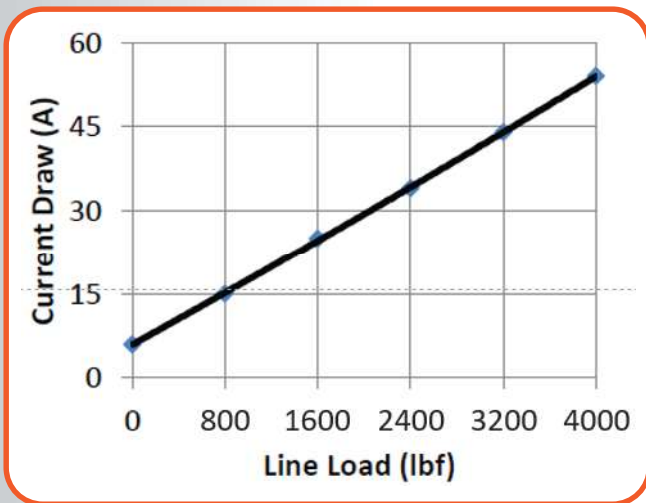
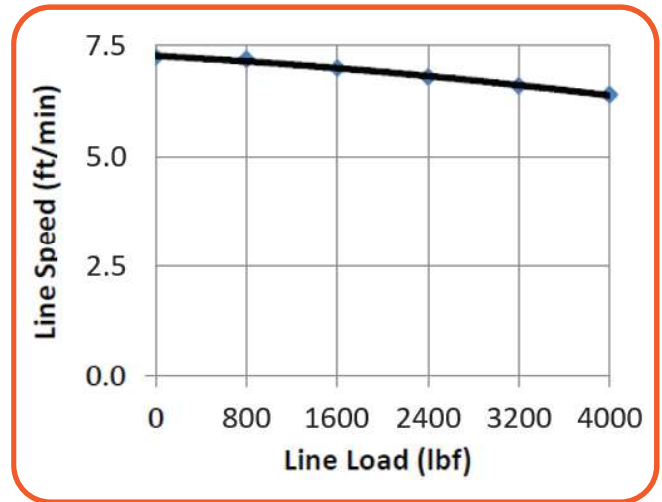


www.forkcrane.com

DF FORK CRANE

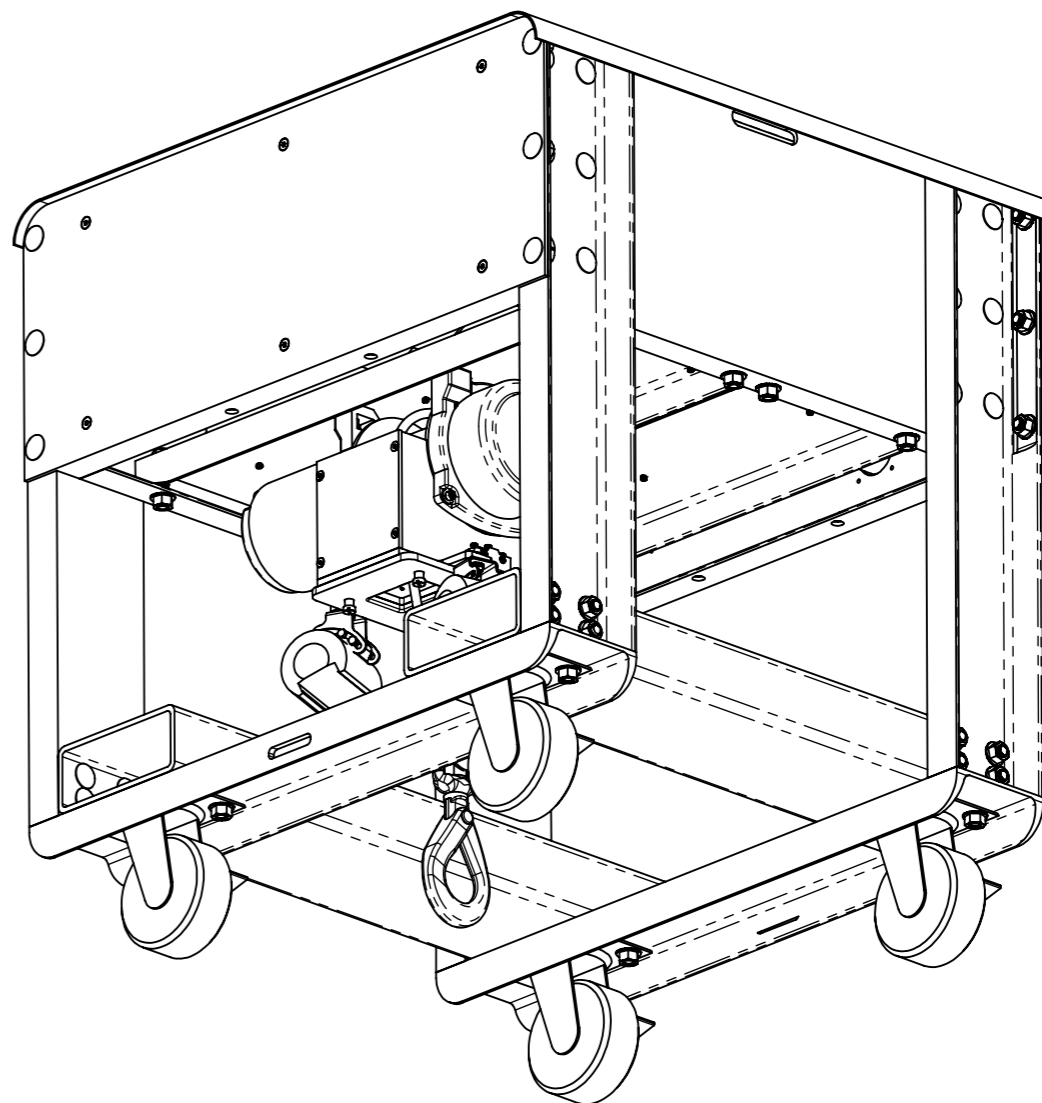
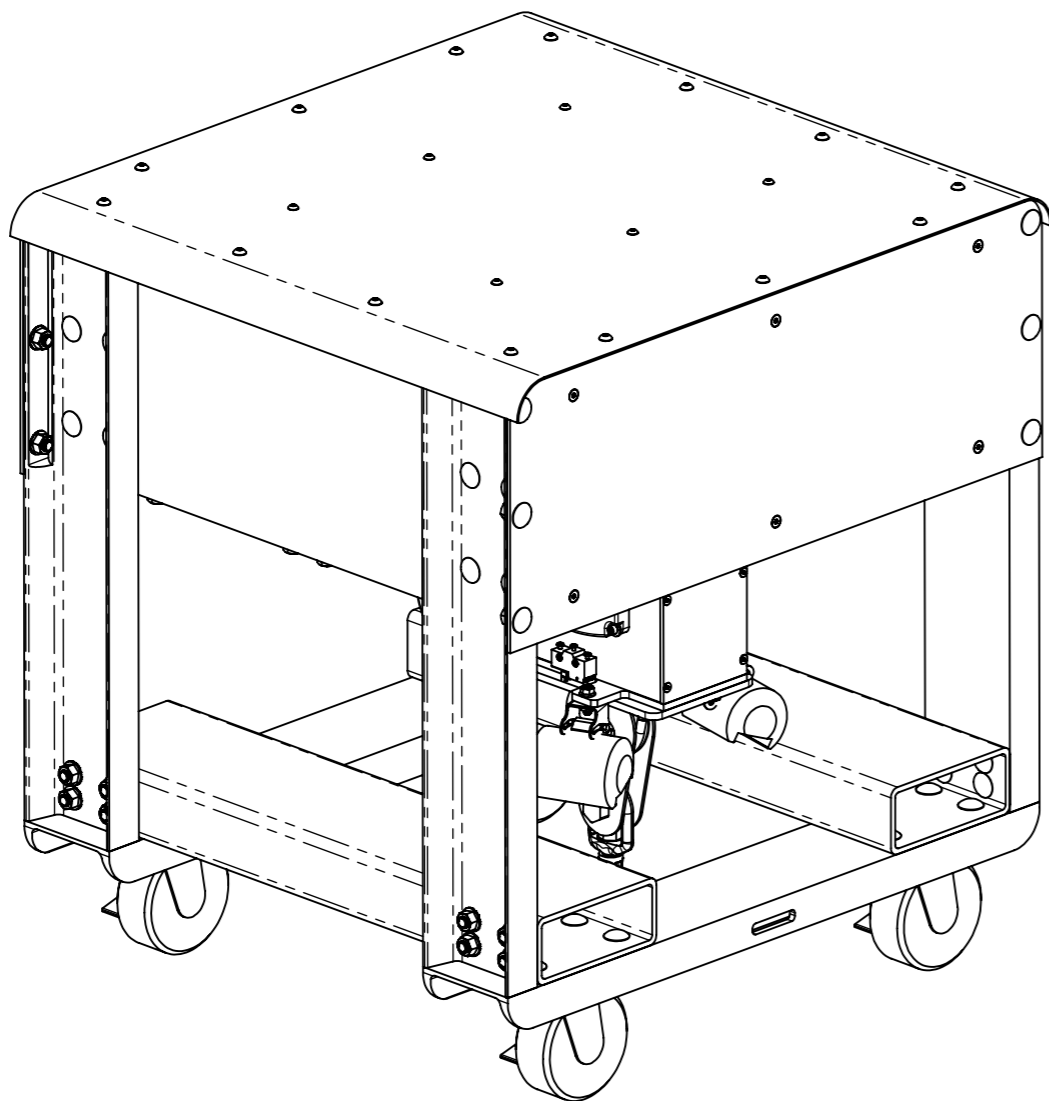
TRANSFORM A FORKLIFT INTO A PRECISION CRANE

4400Z



Model	Performance/Dimensions											
	Capacity (lbs/kgs)	Lifting hours @ 50% load (until battery is 50% depleted)	Lifting Time % of an 8hr Shift @ 50% load	Recharge Time (hrs) (from 50% depletion)	Lift Height (ft/m)	Fork Spacing C-C (in/cm)	Fork Socket Width (in/cm)	Fork Socket Height (in/cm)	Unit Height (in/cm)	Unit Width (E-W) (in/cm)	Unit Depth (N-S) (in/cm)	Unit Weight (lbs/kg)
2400Z	2000 / 907	3.6	45%	5	12 / 3.7	20.5 / 52.1	6.2 / 15.7	2.2 / 5.6	32.3 / 82.1	31.5 / 80	29.9 / 76	815 / 370
3800Z	3000 / 1361	2.5	31%	5	40 / 12.2	19.5 / 49.5	7.4 / 18.8	3.4 / 8.6	45.2 / 114.8	31.6 / 80.3	42.4 / 107.7	1210 / 549
4400Z	4000 / 1814	3.6	45%	5	10 / 3.1	20.5 / 52.1	6.2 / 18.8	2.2 / 8.6	34.3 / 87.1	31.5 / 80	29.9 / 76	815 / 370
6800Z	6000 / 2722	2.5	31%	5	20 / 6.1	19.5 / 49.5	7.4 / 18.8	3.4 / 8.6	45.2 / 114.8	31.8 / 80.8	42.4 / 107.7	1220 / 554
8800Z	8000 / 3629	1.5	19%	5	20 / 6.1	19.5 / 49.5	7.4 / 18.8	3.4 / 8.6	45.2 / 114.8	31.8 / 80.8	42.4 / 107.7	1240 / 563

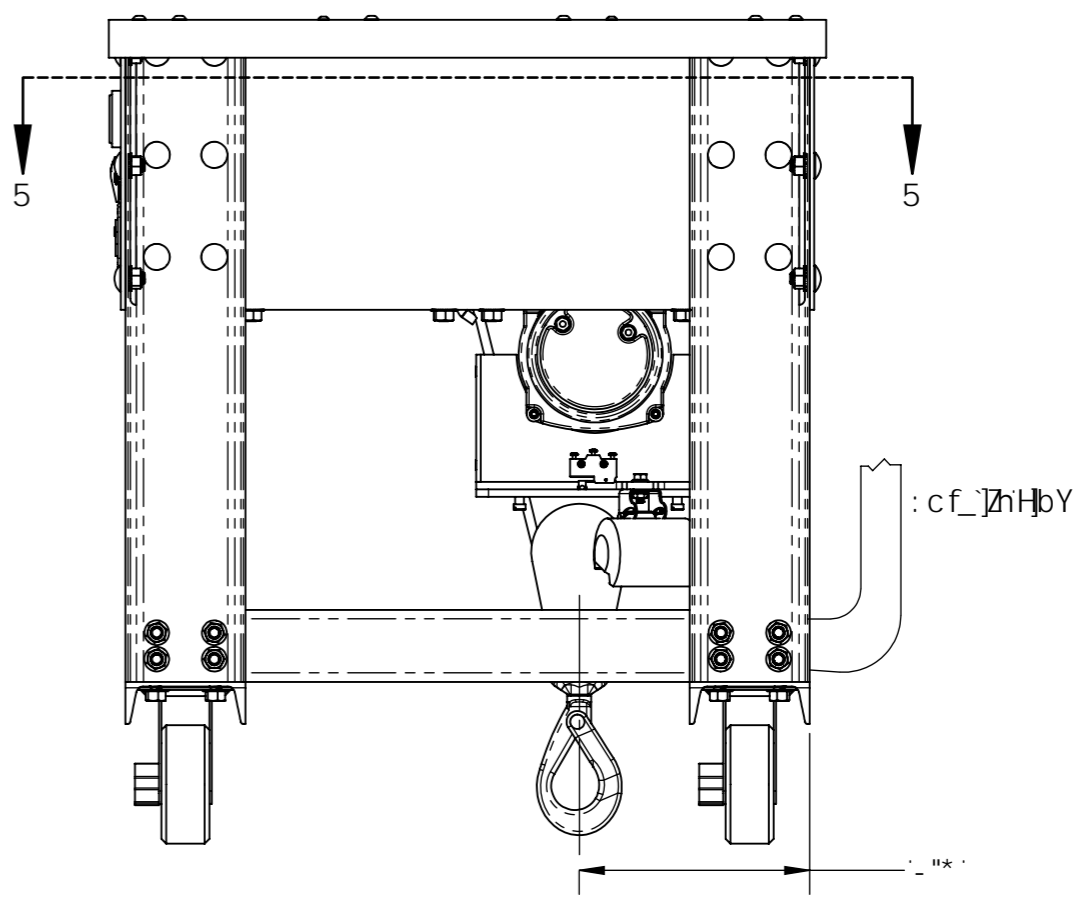
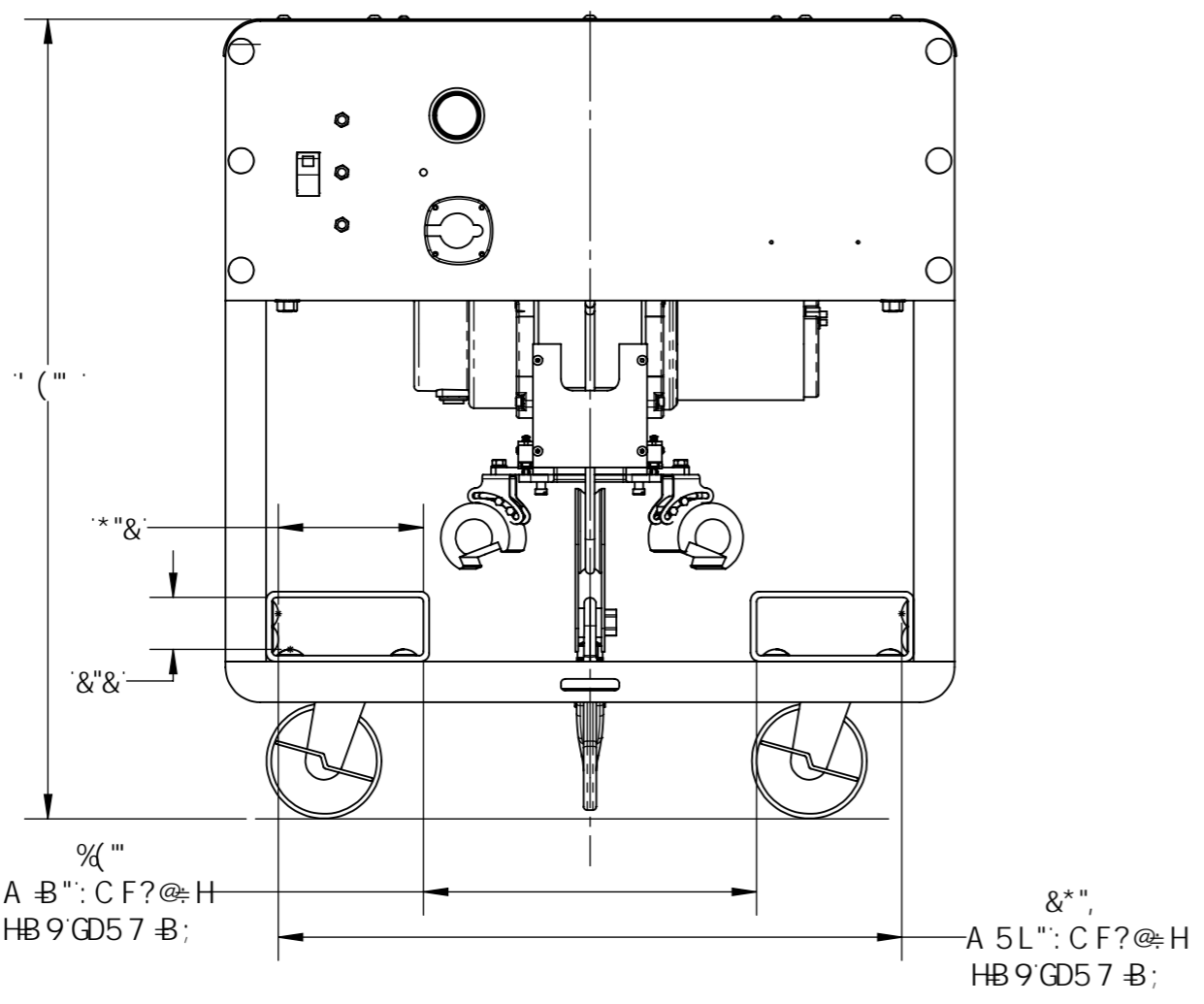
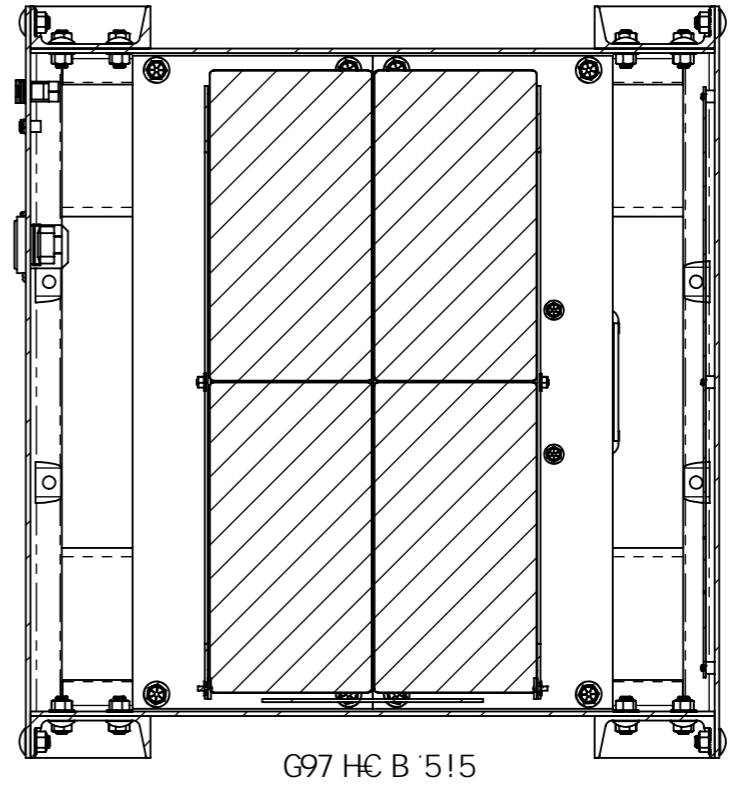
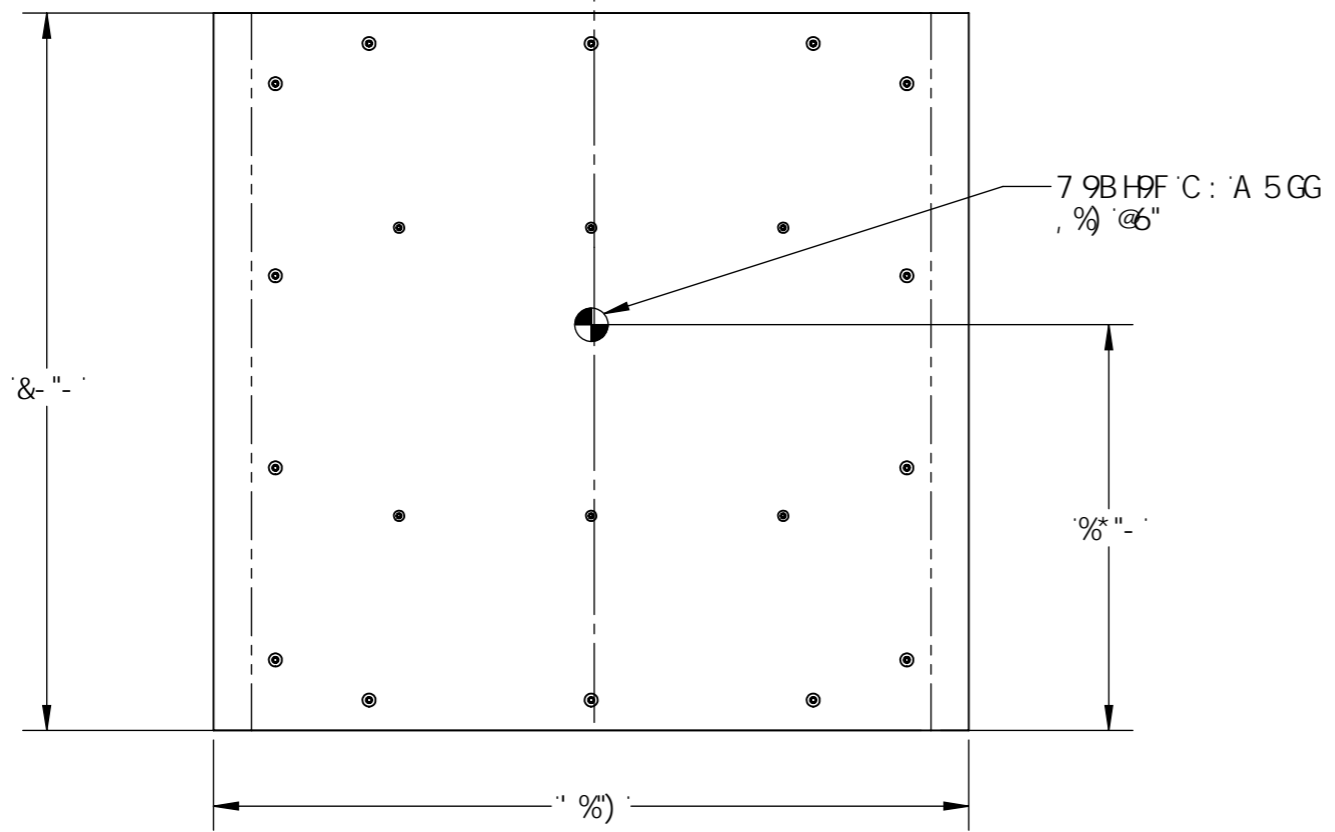
BCH9G



	B5A 9	G< B5H F9	85H9
8F5K B			
7<?B			
5DDJ B			
A::			
E*5			

XYMotion
 Designing precision motion units for industrial use.
 LMA chjb"!@b[a cbh7C

G7 5@9.'%&	F9J €C B. 5	G< 99H%C : '&
K 9> <H'	A 5H9F-5@	B#5
5'	: B €<. B#5	
8 96I FF'5B8' 6F95? G<5FD'98; 9G	8 A 9BGC BG'5F9'B' B7 <9G' HC @F5B7 9G "L'1'Z# '\$"%\$Z'"LL'1'Z# '\$"\$'ž'"LLL'1'Z# "\$\$)"	
H#@9.	((\$\$N	
	; 9B 9F 5 @ 5 FF 5 B; 9A 9B H	
8K; 'BC"	((\$\$N'; 9B 9F 5 @ 5 FF 5 B; 9A 9B H	



8K ; BC"
((\$N ; 9B 9F 5 @5 FF 5 B ; 9A 9BH

XYMotion G < 99H & C : &

F9J GCB.
5